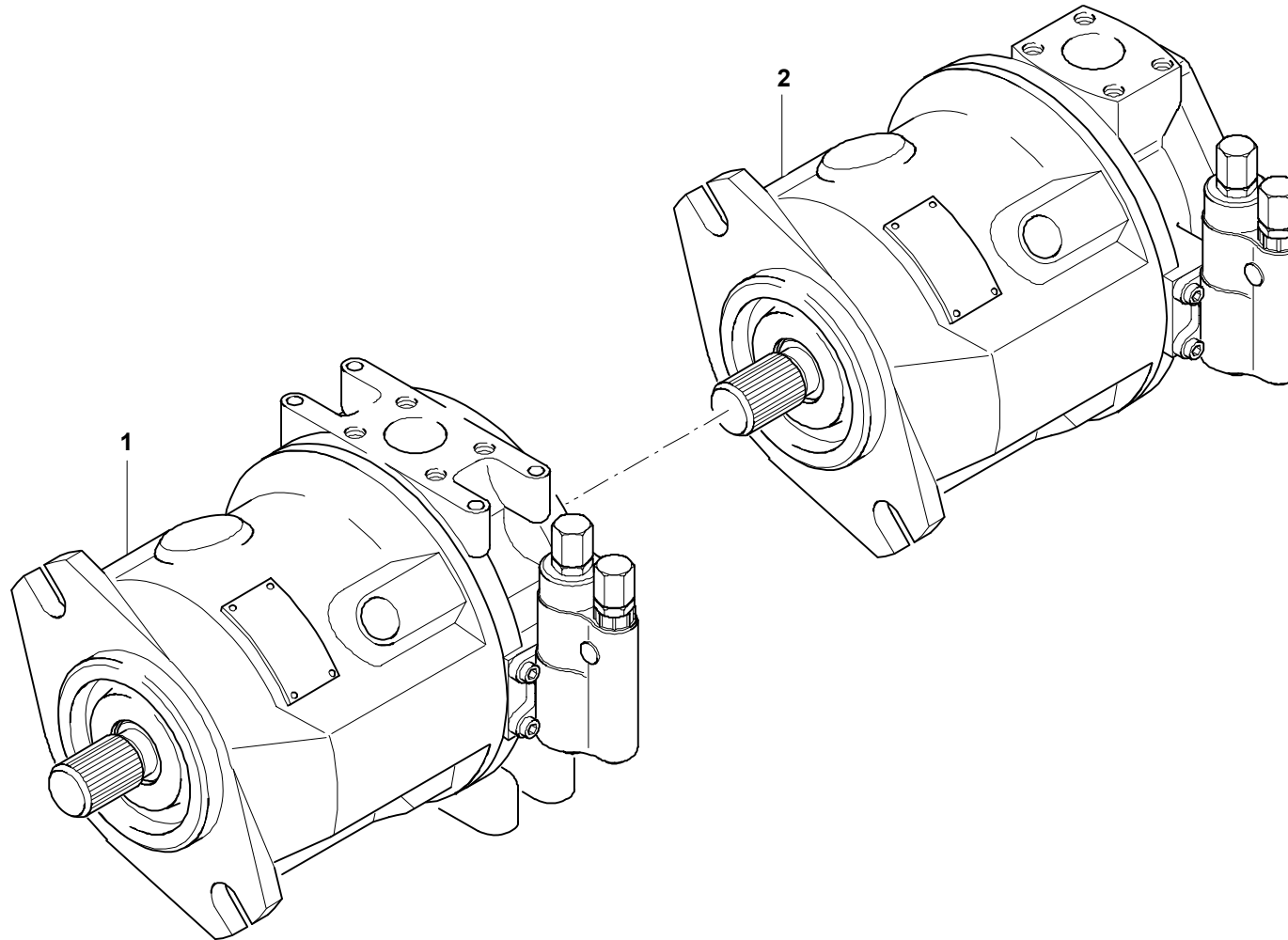


**GROVE**PUMPENKOMBINATION  
PUMPCOMBINATIONBILDТАFEL  
PICTORIAL DISPLAY

02.04

**3053865-ETL A**

1/1

**GMK 4080  
BE 504  
G 781**

3053865-A-BL01-0204-0000